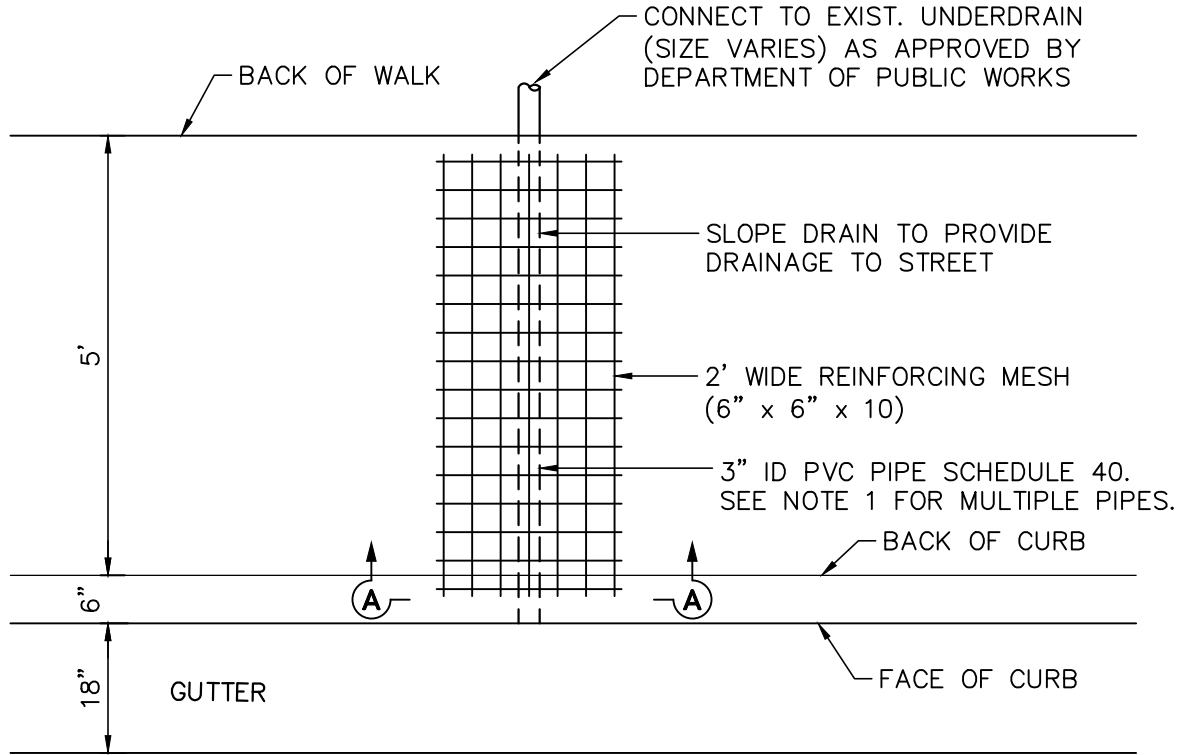


**COUNTY OF SAN MATEO DEPARTMENT
OF
PUBLIC WORKS**

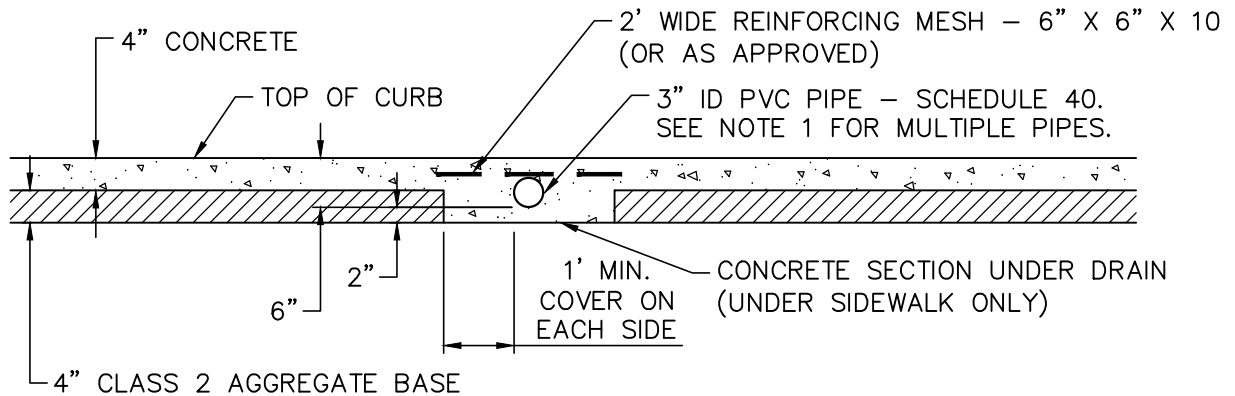
DRAWN BY: A.Z.
 CHECKED BY: K.L.
 APPROVED BY: A.M.S.

SCALE: NONE
 DATE: 2-2022
 REVISED: 2-2022

.....
 REDWOOD CITY
 CALIFORNIA



PLAN



SECTION A-A

NOTE:

1. FOR MULTIPLE 3" DIAMETER UNDERDRAIN PIPES, SPACE PIPES 6" ON CENTER.

DRAINAGE UNDER SIDEWALK